

EcoFan[®] Powered Subfloor Ventilator

Refer to product table below for applicable product codes covered by this document

Issue **D**

Product Type & Application

EcoFan[®] is a low voltage subfloor ventilator with an electronic commutating motor that provides a maximum flow rate of 734 m³/hr. Fan speed is controlled by either pre-programmed temperature and humidity sensors in automatic mode, or one of three manually set speeds. EcoFan[®] is designed for continuous operation in a high moisture environment

Compliance with the NCC

There are no relevant clauses within the NCC for this product to comply with.

Evidence of Suitability

There are no relevant clauses within the NCC to show compliance with – refer to the Additional Data section of this PTS for other compliance data.

Limitations of Use

- This product has not been tested for, and is not suitable for use in cyclonic wind regions C or D.
- Do not use for exhausting hazardous, abrasive, acidic and alkaline vapour or areas containing explosive or corrosive materials.
- This product is not suitable for use in Bush Fire BAL-12.5 to BAL-40 or BAL-FZ rated areas.
- This product must be kept dry.
- This product is not suitable for use within 500m of a saltwater body.

Conditions of Storage, Use & Maintenance

- Store in the original packaging in a cool and dry area.
- The electronics and electrical components are for indoors installation only and should not come into contact with water.
- Do not attempt to repair – contact Bradford Ventilation.

Refer to the product warranty at [csrbradford.com.au](https://www.csrbradford.com.au) for more information.

Specific Design or Installation Instructions

- Isolate power before installation.
- This product requires specific areas to be sealed against water entry and other areas to be left unsealed to allow internal condensation drainage – refer to the installation guide for details.
- It requires a standard 240VAC GPO plug electrical connection for operation.
- The power supply and speed controller are for dry indoor use only. Ensure that the power supply and speed controller are not left on damp surfaces - fasten to the internal structure with screws or cable ties as required.
- Only use one powered ventilator per speed controller and power supply as supplied by Bradford Ventilation.
- The EcoFan[®] has an unguarded fan assembly and should not be used in locations readily accessible to people or animals - the fan is intended for use facing an unoccupied space only.
- The EcoFan[®] is supplied in 'extraction' mode (blowing air outward from the grill) – this can be reversed by reversing the orientation of the motor with the power disconnected.
- This product contains a fan which might be audible when in operation – avoid positioning the product directly under bedrooms or bedroom ensuites.

For general installation guidance refer to the product installation guide at [csrbradford.com.au](https://www.csrbradford.com.au)

EcoFan® Powered Subfloor Ventilator

Applicable Product Codes (SKU)

Variant	Material Code
EcoFan® White	112158
EcoFan® Brown	112157
EcoFan® White Twin Pack	134204
EcoFan® Brown Twin Pack	134203

Product Specifications

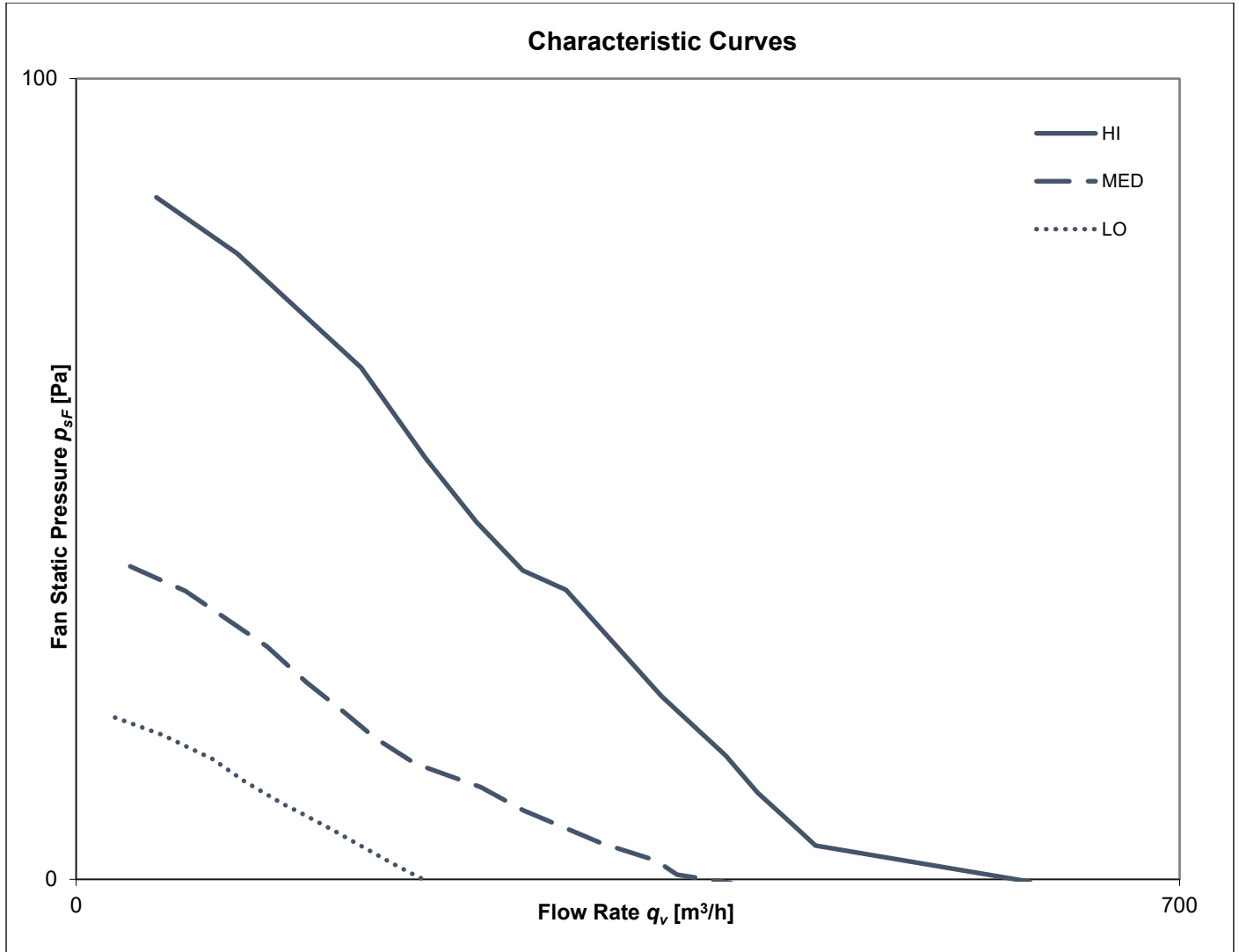
General	
Ventilator Type	Subfloor Powered Ventilator
Fan Diameter	230 mm
Throat Diameter	250 mm
Product Weight	2.95 kg
Packaged Weight	3.7 kg

Material	
Housing	Weatherproof Acrylic
Fan and Motor Housing	Polypropylene
Fan Impeller	Glass-Filled Nylon
Screws	Stainless Steel and Galvanised

Electrical	
Power Supply Type	Electronic Switch Mode
Input Voltage	100-240VAC, 1A, ~50/60Hz
Output Voltage	24 VDC
Cable Length	Approx. 1.8 m
Installation Location	Indoor, Dry Area
Fan Type	Electronic Commutating Motor
Internal Voltage	24 VDC
Protection Class	IP54
Maximum Flow Rate	734 m³/hr

EcoFan[®] Powered Subfloor Ventilator

Product Performance – Ventilator Flowrate



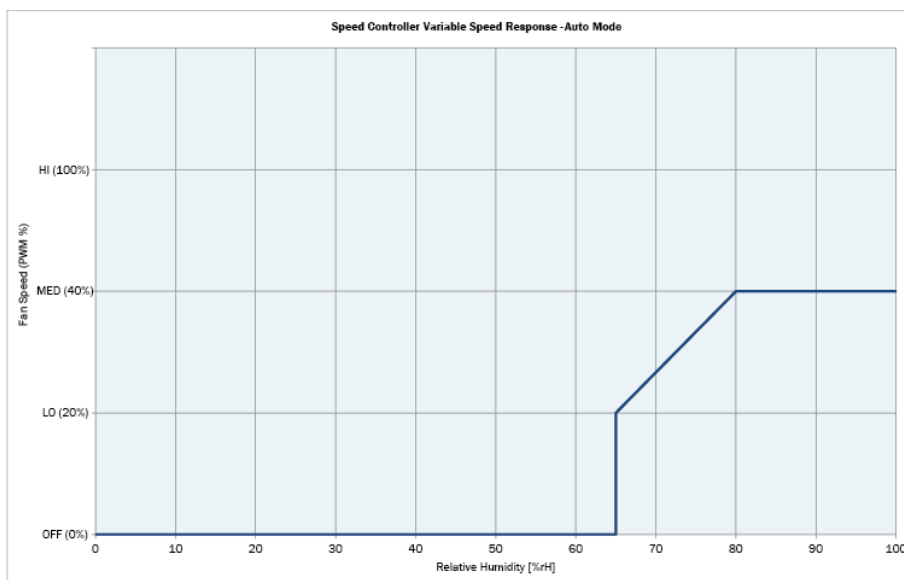
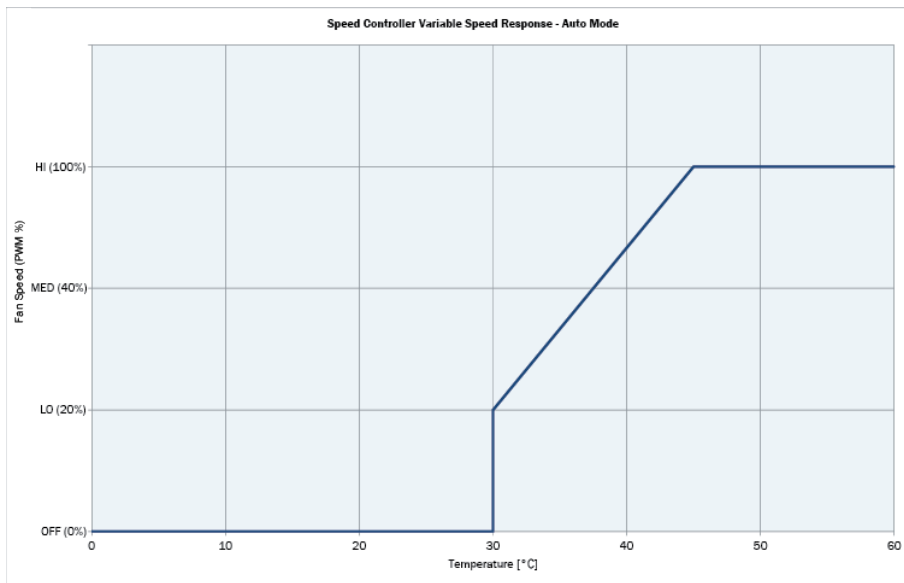
EcoFan® Powered Subfloor Ventilator

Ventilator Fan Speed Option

EcoFan® has 3 fixed speed options available (LO, MED, HI) or a variable (AUTO) speed which responds to both ambient temperature and to ambient relative humidity.

- In AUTO when measuring the temperature, the fan response will be off below 30°C, LO speed at 30°C and a linear increase in speed until HI speed is reached at 45°C.
- In AUTO when measuring relative humidity, the fan response will be off below 65%rH. At 65%rH the fan will start in LO speed and there will be a linear increase in speed until MED speed is reached at 80%rH.

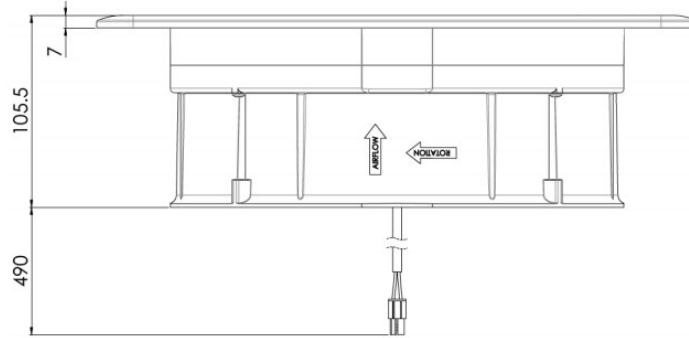
The two charts below summarise the fan response.



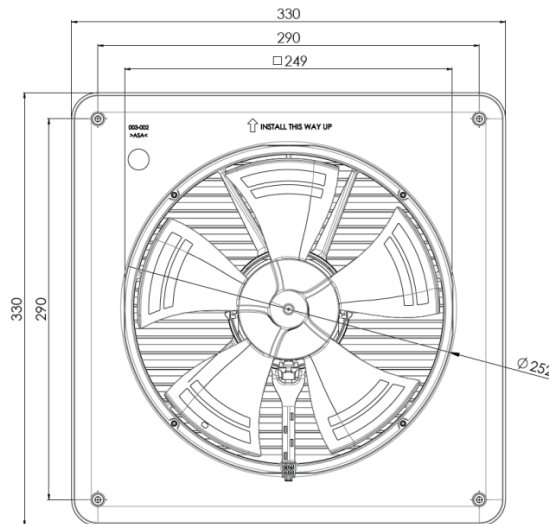
EcoFan[®] Powered Subfloor Ventilator

Product Dimensions

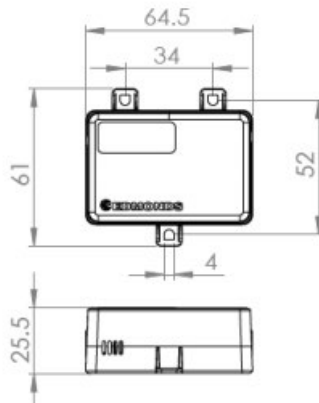
Top View



Rear View



Speed Controller



EcoFan[®] Powered Subfloor Ventilator

Extension Lead



Power Supply

